

A/B Switch Setup

Without a DVR or Digital Receiver:

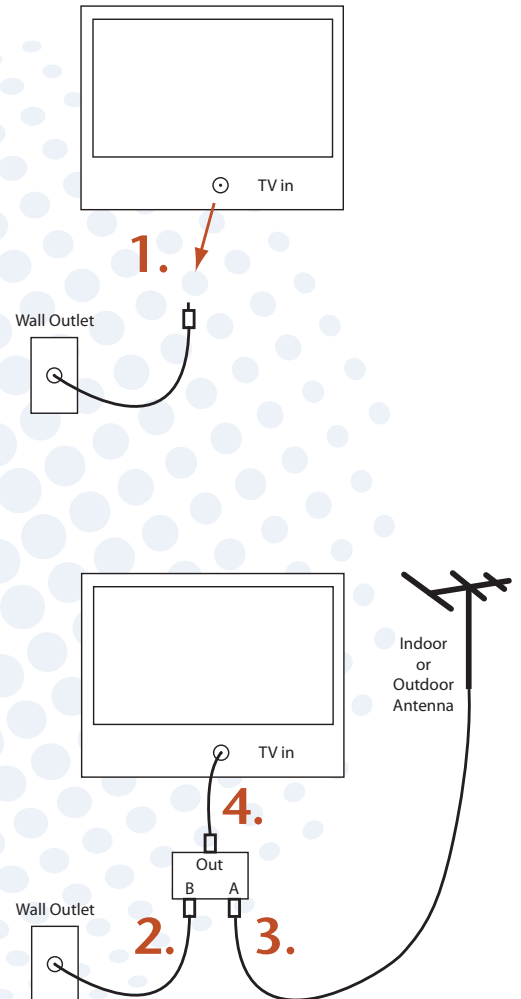
- 1.** Disconnect coaxial cable from the coaxial input on the back of your television set.
- 2.** Connect the coaxial cable you just disconnected to the B (cable) input on the A/B switch.
- 3.** Connect the antenna to the A (antenna) input on the A/B switch.
- 4.** Connect the "TV Out" on the A/B switch to the TV's coaxial input.

Note:

To access the antenna you'll need to select the A (antenna) input on the A/B Switch.

To access cable, select the B (cable) input.

You may need to run the channel programming setup for your television set to pick up the off-air broadcast channels (see your TV's owners manual for steps to run the channel programming).



www.midcocomm.com • 1-800-888-1300

If a DVR or Digital Receiver is currently hooked up to your television, please follow the instructions on the other side.



A/B Switch Setup

With a DVR or Digital Receiver:

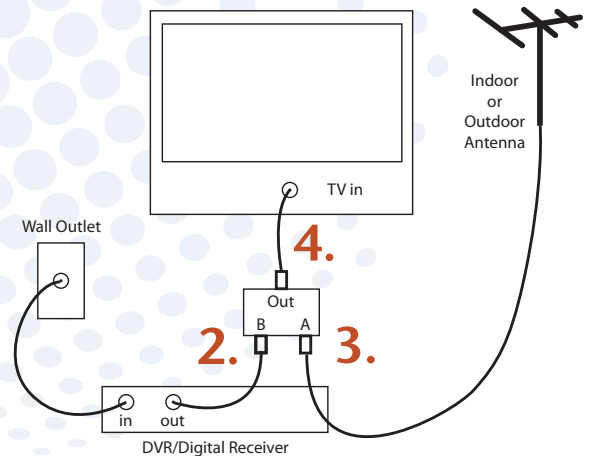
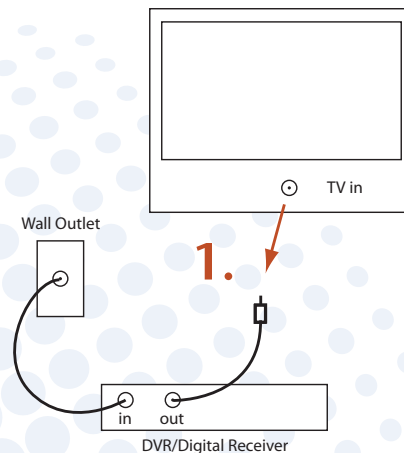
- 1.** Disconnect coaxial cable from the coaxial input on the back of your television set.
- 2.** Connect the coaxial cable you just disconnected to the B (cable) input on the A/B switch.
- 3.** Connect the antenna to the A (antenna) input on the A/B switch.
- 4.** Connect the "TV Out" on the A/B switch to the TV's coaxial input.

Note:

To access the antenna you'll need to select the A (antenna) input on the A/B Switch.

To access the DVR/Digital Receiver, select the B (cable) input.

You may need to run the channel programming setup for your television set to pick up the off-air broadcast channels (see your TV's owners manual for steps to run the channel programming). The television will need to be set on channel 4 when the B (cable) input is selected.



If you do not have a DVR or Digital Receiver currently hooked up to your television, please follow the instructions on the other side.

